

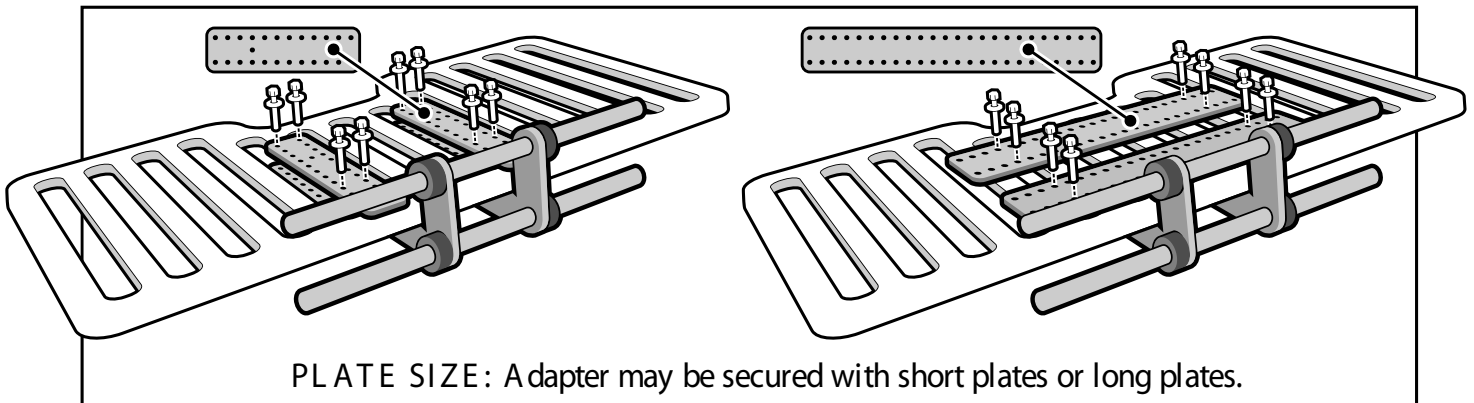
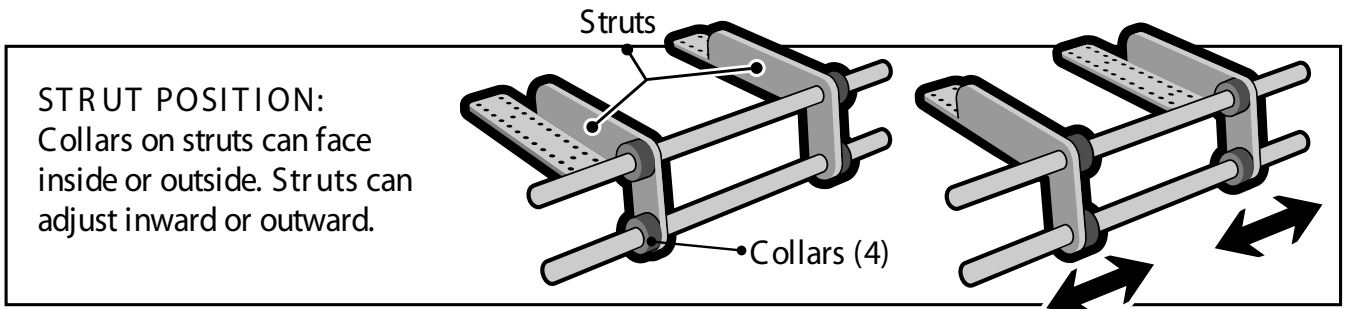
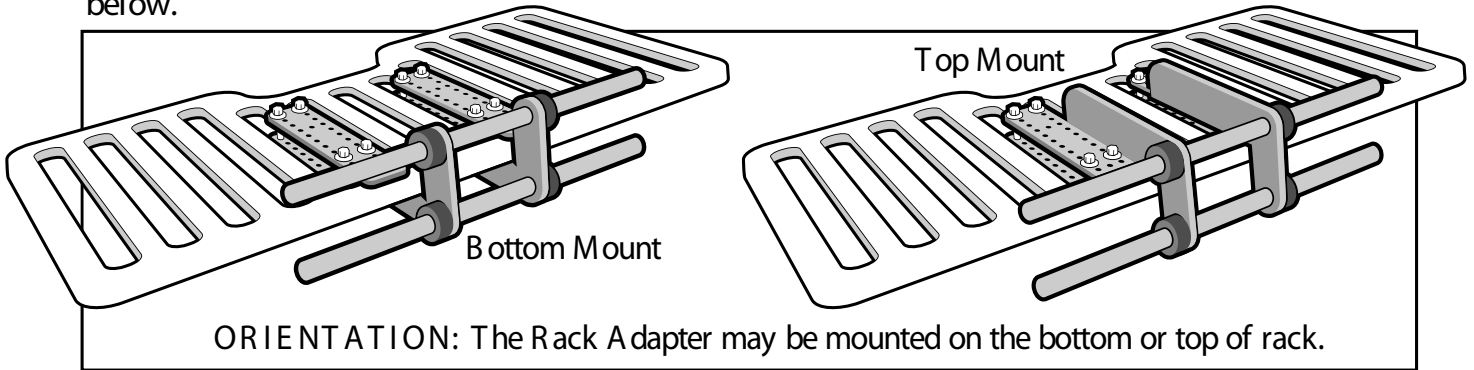


Instructions for Rack Adapter Kit

THANK YOU for your purchase of the Rack Adapter Kit, a top quality Moultrie product. Please read this sheet before installing this unit. If you should have any questions about this or any other Moultrie product, please contact us using the information at bottom of page.

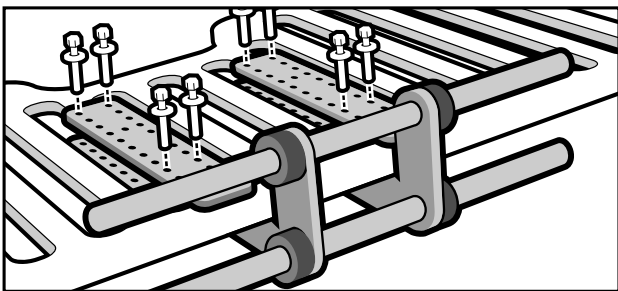
I ABOUT THE RACK ADAPTER

The Rack Adapter has been designed and tested to fit most production ATV Racks on the market today. The Rack Adapter can be installed in various configurations to fit your ATV. Please take a moment to understand these key features before advancing to the instructions below.

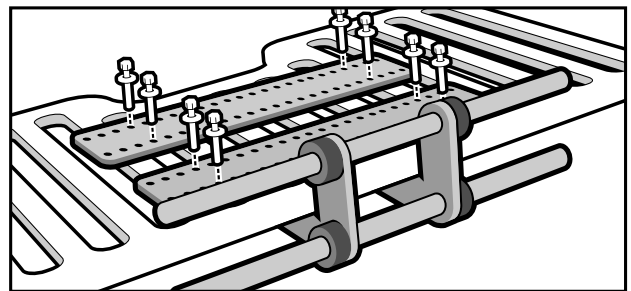


II RACK ADAPTER INSTALLATION

- 1** Starting with the bottom position, determine the best ORIENTATION and STRUT POSITION for your Rack Adapter so that it will clear any obstructions such as fenders, taillight, etc., and allow bolts to be inserted around rack. If interference occurs, try adjusting struts inward/outward, swapping the STRUT POSITION, or changing the ORIENTATION.
- 2** Starting with the short plate, select the Plate Size that aligns best with the holes in the Struts. Use 4 bolts per plate as shown to secure the Rack Adapter (8 bolts total).
- 3** Using an Allen Wrench, tighten 8 collar bolts to secure the STRUT POSITION.



OR



Our Service Department will gladly answer any questions you have.
Call 205-664-6700 Monday – Friday, 8:00 AM to 5:00 PM CST.
www.moultriefeeders.com