

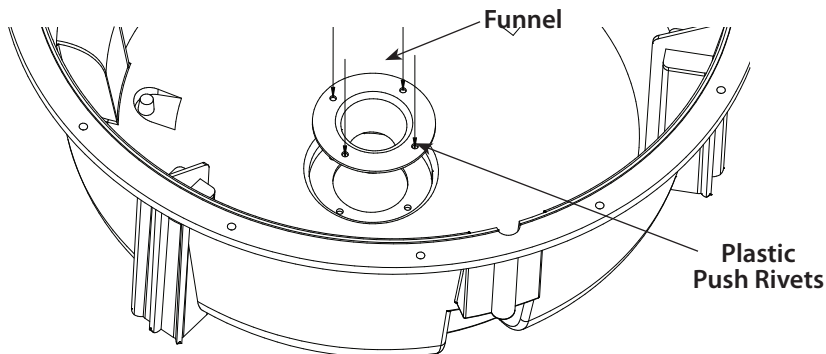


Instructions for Pro-Lock Feeder

THANK YOU for your purchase of the Pro-Lock 30 Gallon Tripod Feeder. Please read this sheet before operating the unit. If you should have any questions about this product or any other Moultrie product, please contact us using the information on the back of this sheet. To help us to better serve you and to activate your 1-year warranty, please submit your Warranty information online at <http://www.moultriefeeders.com/warranty>

I INSTALL FUNNEL

- 1 Place Funnel into Hopper Bottom and insert four (4) Plastic Push Rivets.

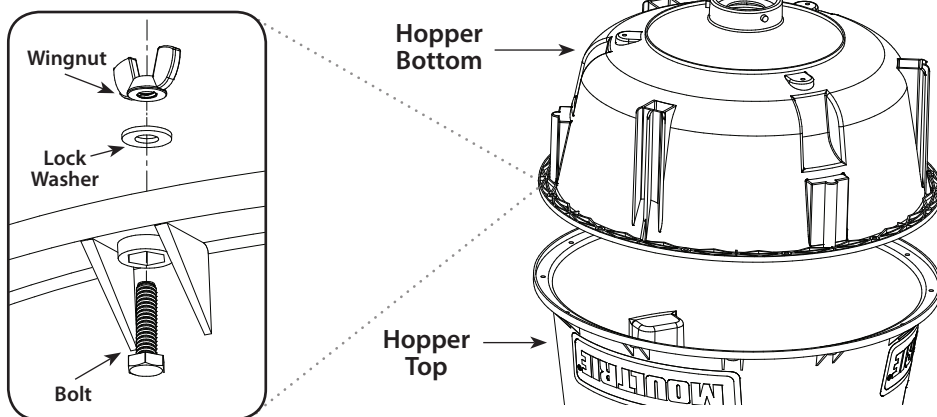


II ASSEMBLE HOPPER

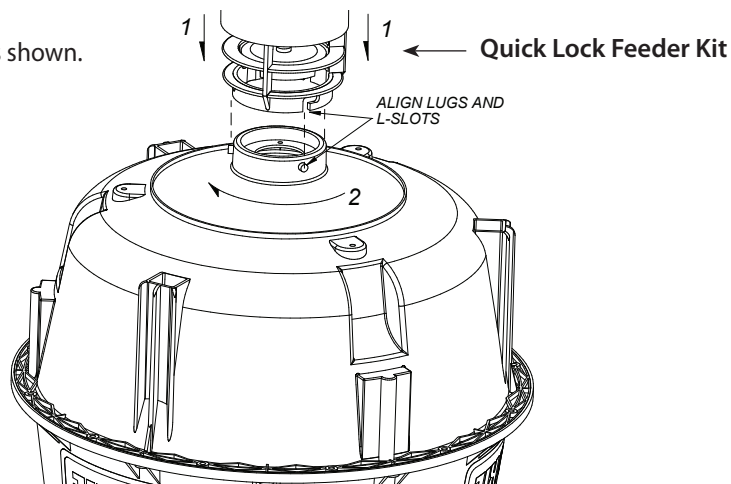
- 1 Flip Hopper Top upside-down and mate Hopper Bottom to Top.

Align holes, then press sides of Hopper Bottom until it snaps snugly in place. Insert Bolt upward through each hole, place Lock Washer on bolt and screw Wingnut onto bolt until tight. Repeat for all 12 bolts.

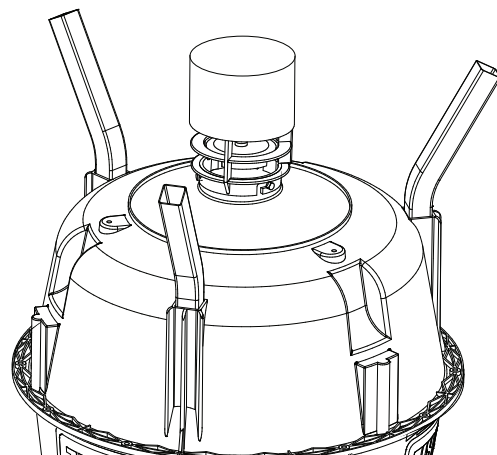
Note: Failure to properly secure 2 halves can result in leakage.



- 2 Connect Quick Lock Feeder Kit to assembled Hopper as shown.



- 3 Slide the three provided Square Leg Receivers into the Hopper as shown.

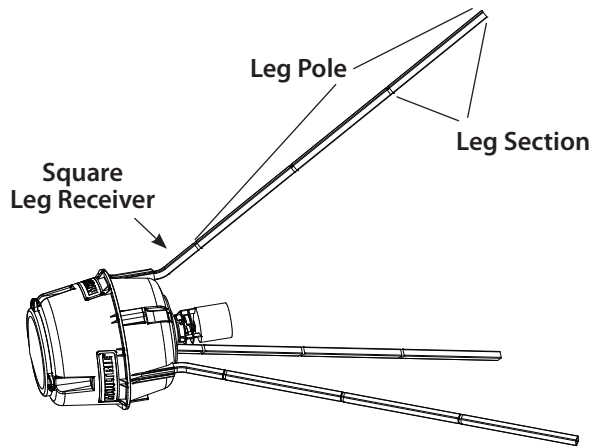




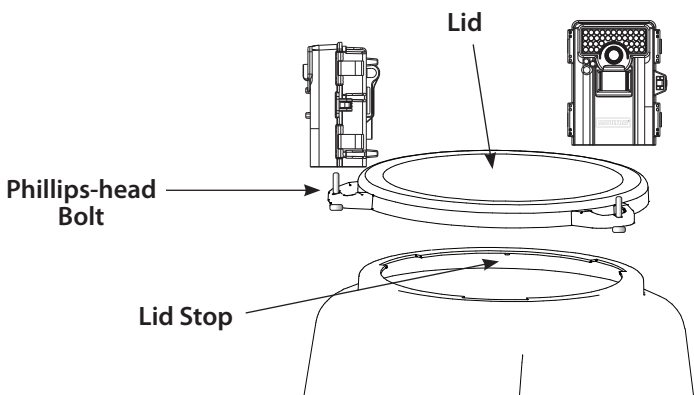
STAND UP FEEDER AND INSTALL LID

Place Hopper on side. Assemble three Leg Poles using four Leg Sections each.

Install a Leg Pole on the inside of each of the Square Leg Receivers. Make sure to have all leg sections connected properly with the sections inserted as far as they will go. With two Leg Poles against the ground as shown, carefully stand up the Feeder.



DO NOT EXCEED 200 POUNDS OF FEED



Install Lid by aligning handles with notches in Hopper Top. Twist until Lid rests flush against Lid Stop.

To install a Moultrie Game Camera or Feeder Power Panel (sold separately), thread included Phillips-head Bolt upward through hole in Lid Handle and tighten Bolt. Lid will hold up to 3 devices.



CONFIGURING AND TESTING FEEDER

1 INSTALL BATTERY: Open Control Box door and install a 6-Volt Alkaline (ex. Energizer™) or Moultrie rechargeable battery (MFH-SRB6) by attaching the Red Alligator Clip to the positive terminal (+) and the Black Alligator Clip to the negative (-) terminal.

2 SET TIME OF DAY: Press the UP or DOWN button until the correct time of day appears. Press and release button to single-step through the minutes or hold down to advance quickly.

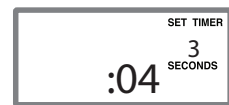
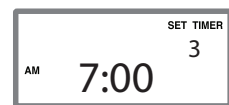
3 SET FEED TIMES: Press the SET button until the correct Timer Number appears in the upper right hand corner as shown. Press the UP or DOWN button to set the Feed Time.

Note: Factory settings are 7am and 6pm.

SET RUN DURATION: Press the SET button again to set the RUN-TIME SECONDS which can range from zero to twenty seconds. Adjust RUN-TIME SECONDS using the chart below. Set the RUN-TIME SECONDS to zero to disable the specific timer.

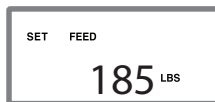
Note: Factory setting is 4 seconds.

RUNTIME (sec.)	1	2	3	4	5	6	7	8	9	10	11	12	13	14	15	16	17	18	19	20
Approx. Feed Dispensed (lbs.)	.38	.62	.88	1.0	1.2	1.5	1.7	1.9	2.2	2.4	2.6	2.8	3.0	3.3	3.5	3.7	4.0	4.2	4.4	4.6



4 SET FEED LEVEL: Your Feeder Timer is equipped with a Feed Level Estimator. Press the SET button until "SET FEED" appears. Enter the amount of feed (lbs.) added to Hopper. The timer will automatically estimate the amount of feed remaining in lbs. and days after auto-scroll begins.

Note: The above estimates are based on using deer corn. Feed type, size and density will affect calculations.



5 TEST FEEDER: PRESS AND HOLD the SET button while the RUN-TIME SECONDS are displayed. Release the button and get away from the feeder when the message "TESTING GET AWAY" appears on the display.

Helpful Tips:

- Your Feeder has been preset from the factory with a 0.5" feed gap (distance between the bottom of the funnel and the spinner plate). This gap must be maintained for optimal Feed Level Estimation.
- For extended battery life, the Moultrie Deluxe Solar Panel (MFH-DSP) or Feeder PowerPanel (MFA-12602) can be added using the External Power Port.
- For added security against pests, the Moultrie Varmint Guard for Pro-Lock & Easy-Lock Feeders (MFA-12650) can be added.
- Replacement parts can be purchased from Moultrie's customer service line at the number below.
- Your feeder has a 1-year warranty against manufacturing defects from point of purchase. Visit www.moultriefeeders.com/warranty for more information.

NOTE: This equipment has been tested and found to comply with the limits of Part 15 of the FCC Rules. These limits are designed to provide reasonable protection against harmful interference in a residential installation. This equipment generates, uses and can radiate radio frequency energy and, if not installed and used in accordance with the instructions, may cause harmful interference to radio communications. However, there is no guarantee that interference will not occur in a particular installation. If this equipment does cause harmful interference to radio or television reception, which can be determined by turning the equipment off and on, the user is encouraged to try to correct the interference by one or more of the following measures:

- Reorient or relocate the receiving antenna.
- Increase the separation between the equipment and receiver.
- Connect the equipment into an outlet on a circuit different from that to which the receiver is connected.
- Consult the dealer or an experienced radio/TV technician for help.



Our Service Department will gladly answer any questions you have. Call **800-653-3334**, Monday - Friday, 8:00 AM to 5:00 PM CST.

www.moultriefeeders.com