

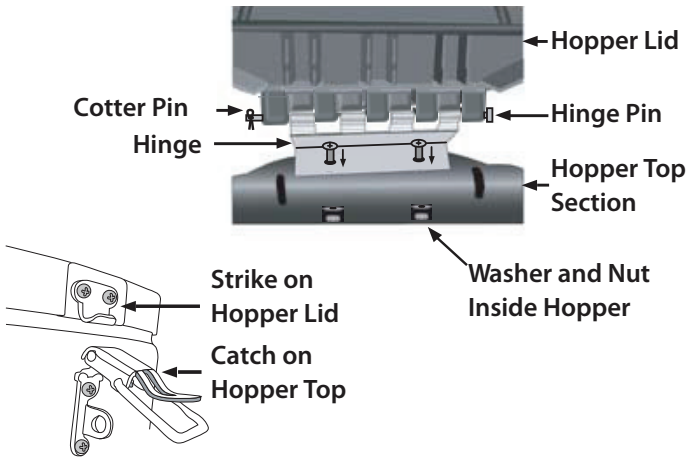


Instructions for 30-Gallon FeedCaster Fish Feeder

THANK YOU for your purchase of the 30-Gallon FeedCaster Fish Feeder. Please read this sheet before operating the unit. If you should have any questions about this product or any other Moultrie product, please contact us using the information on the back of this sheet. To help us to better serve you, please submit your warranty information online at <http://www.moultriefeeders.com/warranty>

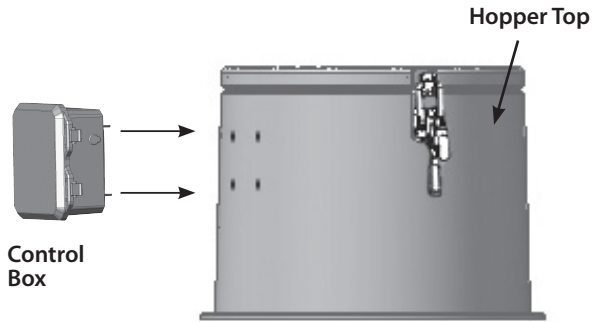
I ASSEMBLE HOPPER TOP

1 Attach provided Hinge to Hopper Top Section using two 1" long bolts. Inside the Hopper, place a washer and lock-nut on each bolt. Place Hopper Lid on Hopper Top and thread Hinge Pin through hole. Slide Cotter Pin through hole in Hinge Pin and spread legs as shown.



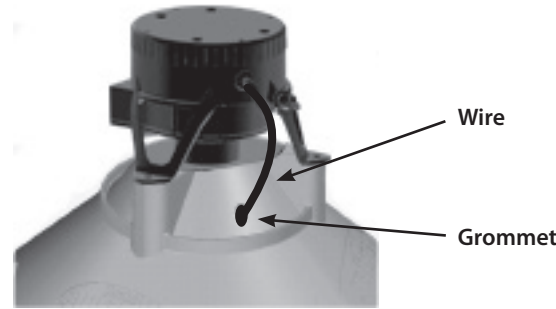
2 Attach the Strike to the Hopper Lid and Catch to the Hopper Top using four provided 1/2" long bolts as shown. Inside the Hopper, place a washer and lock-nut on each bolt.

3 Place (4) rubber washers on threaded studs of Control Box. Hold Control Box near holes on the side of the Hopper and route wire through 3/4" hole. Align threaded studs on back of Control Box with holes in side of Hopper Top. From inside Hopper, secure Control Box to Hopper Top using provided four nuts and washers.



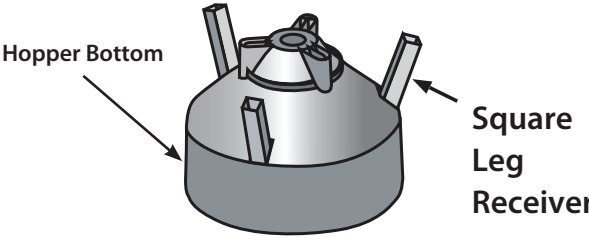
II ASSEMBLE HOPPER BOTTOM

1 Mount Feeder Kit so the wire is aligned with 1/2" hole and attach to Hopper Bottom by using (3) 1 1/2" long screws.

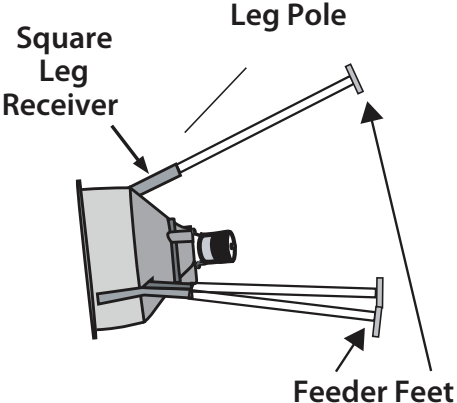


2 Route Wire through 1/2" hole in Hopper and secure Grommet by pressing firmly as shown.

3 Slide the three provided Square Leg Receivers into the Hopper Bottom as shown.

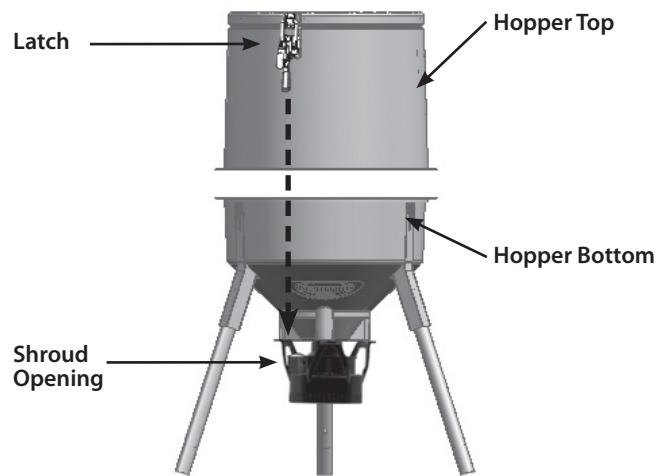


4 Lay Hopper on side. Insert one Leg Section in each Square Leg Receiver as shown. Attach provided Feeder Feet to bottom of Leg Poles as shown. Carefully stand up the assembled Hopper Bottom.



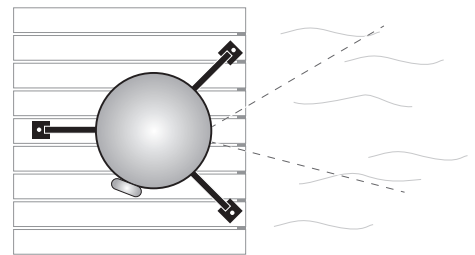
IV ATTACH HOPPER TOP TO HOPPER BOTTOM

- Place Hopper Top Section on Hopper Bottom Section as shown. **Align the latch on Hopper Top Section with shroud opening.** For each of the nine holes, insert provided 1" long bolt through a washer, the Hopper Junction Ring, another washer, lock-washer, and into the nut as shown. Use a wrench to tighten each of the nuts.
- Reach inside Hopper and plug lower unit wire into Control Box wire connector. Attach wire to inside wall of hopper using provided adhesive-backed wire straps.

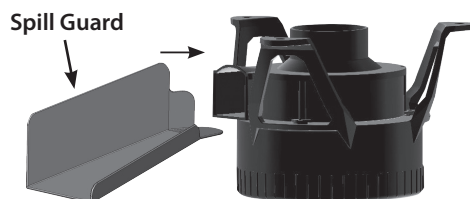


V MOUNT FEEDER TO DOCK

- Position FeedCaster on dock as shown with Shroud Opening facing the side closest to the water. **NOTE: Feed will be cast in roughly a 30° path.**
Optional: Use deck screws (not included) to secure Feeder Feet to dock for added stability.



Optional: To prevent feed from spilling on dock, assemble the included Spill Guard as shown using provided hardware.



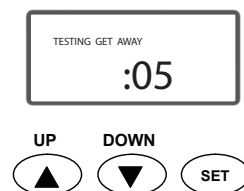
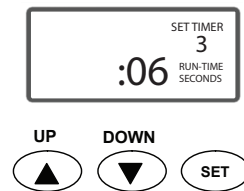
VI CONFIGURE AND TEST FEEDER

Open Control Box door and install a 6-Volt Alkaline (ex. Energizer™) or Moultrie rechargeable battery by attaching the Red Alligator Clip to the positive terminal (+) and the Black Alligator Clip to the negative (-) terminal.

Feeder is Solar Panel Ready

The Moultrie Solar Panel (MFH-DSP) or Feeder PowerPanel (MFA-12602) will greatly extend battery life (sold separately).

- Your FeedCaster will feed up to six times per day and has been factory set to feed at 7:00am and 6:00pm for six seconds. To change the factory settings or add additional feed times, follow the instructions below. The Battery Level is displayed every seven seconds. It is recommended that the battery be replaced when the %BATTERY reading is 25% or below.
- SET TIME OF DAY:** Press the UP or DOWN button until the correct time of day appears. Press and release button to single-step through the minutes or hold down to advance quickly.
- SET FEED TIMES:** Press the SET button until the correct Timer Number appears in the upper right hand corner as shown. Press the UP or DOWN button to set the Feed Time. Enter "0" to disable.



RUN TIME (sec.)	4	6	8	10	12	14	16	18	20
Approx. Fish Feed Dispensed (lbs.)*	.4	.7	1.0	1.3	1.6	1.9	2.2	2.5	2.8

*Based on .250" floating pellets.

- TEST TIMER:** To test the Timer, PRESS AND HOLD the SET button while the RUN-TIME SECONDS are displayed. Release the button and get away from the feeder when the message "TESTING GET AWAY" appears on the display. The display will countdown five seconds before activating the motor for the number of RUN-TIME SECONDS programmed. The test feature is useful for assessing the amount of feed to dispense.

MOULTRIE

Our Service Department will gladly answer any questions you have. Call **800-653-3334**, Monday - Friday, 8:00 AM to 5:00 PM CST.
www.moultriefeeders.com